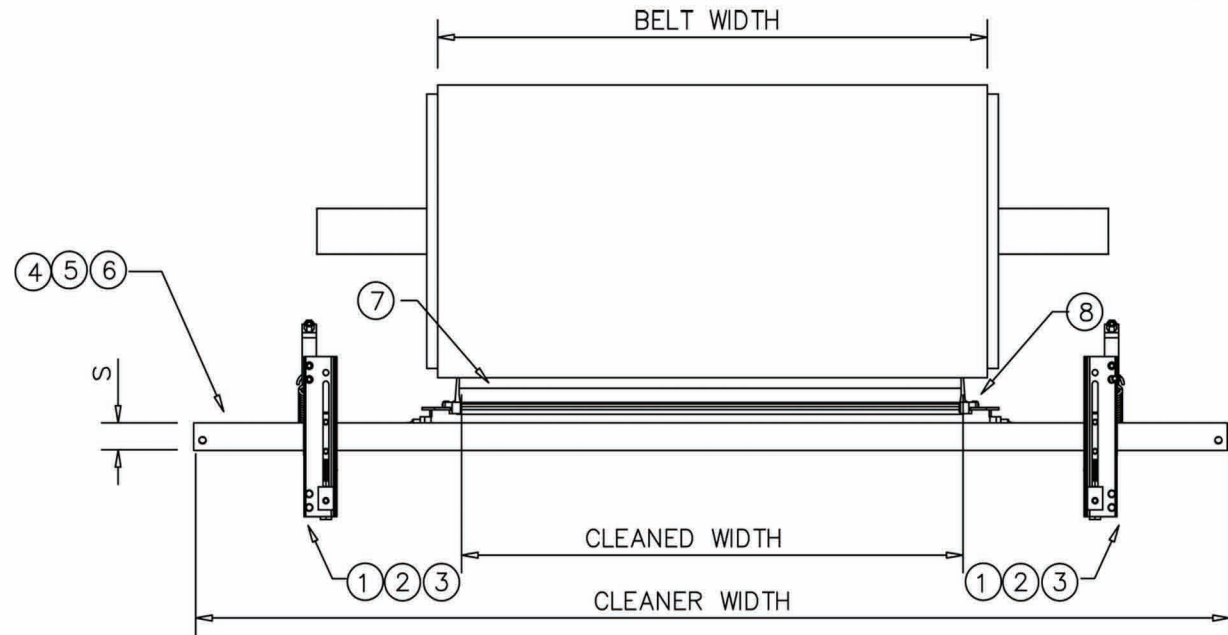
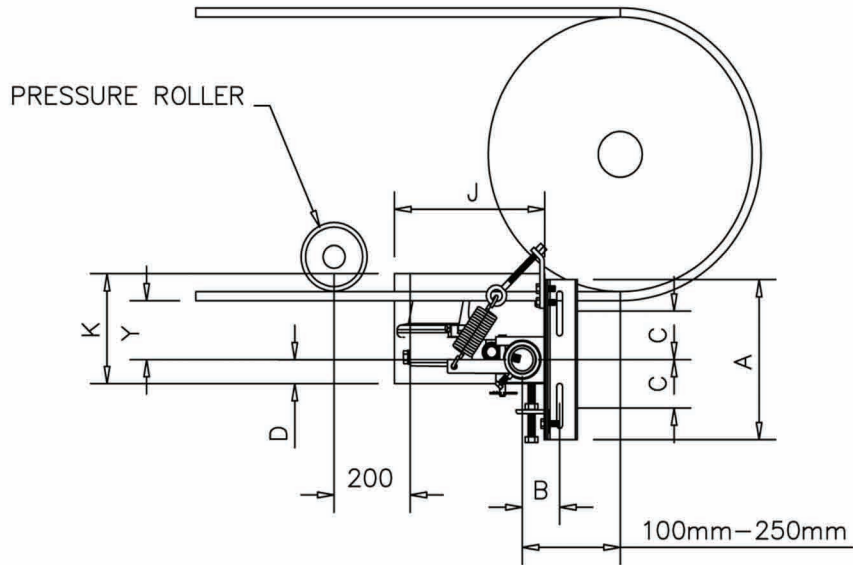


MCS1 SPRING TENSION SECONDARY BELT CLEANER



REF CHUTE CUTOUT

BELT WIDTH	Y	A	B	C	D	J	K
450mm-750mm	135	300	83	80	60	345	240
800mm-1200mm	135	350	90	100	60	345	240
1400mm-2000mm	145	350	95	100	70	345	240

ITEM	PART No.	DESCRIPTION
1	81 100 00 75	TENSION SPRING 450/700mm belts
2	81 100 00 76	TENSION SPRING 800/1200mm belts
3	81 100 00 77	TENSION SPRING 1400/2000mm belts
4	MCS1-48mm SHAFT ASSY	BLADE CARRIER ASSEMBLY 450/700
5	MCS1-60mm SHAFT ASSY	BLADE CARRIER ASSEMBLY 800/1200
6	MCS1-76mm SHAFT ASSY	BLADE CARRIER ASSEMBLY 1400/2000
7	MCS1 BLADE	POLYURETHANE BLADE
8	81 200 00 25	BLADE END STOPS

BELT WIDTH	CLEANED WIDTH	CLEANER WIDTH	S
450	450	1300	48
500/600	500	1450	48
650/700	650	1550	48
800	800	1700	60
900	900	2050	60
1050	1050	2200	60
1200	1200	2350	60
1400	1400	2650	76
1500	1500	2750	76
1600	1500	2850	76
1800	1800	3050	76
2000	2000	3250	76