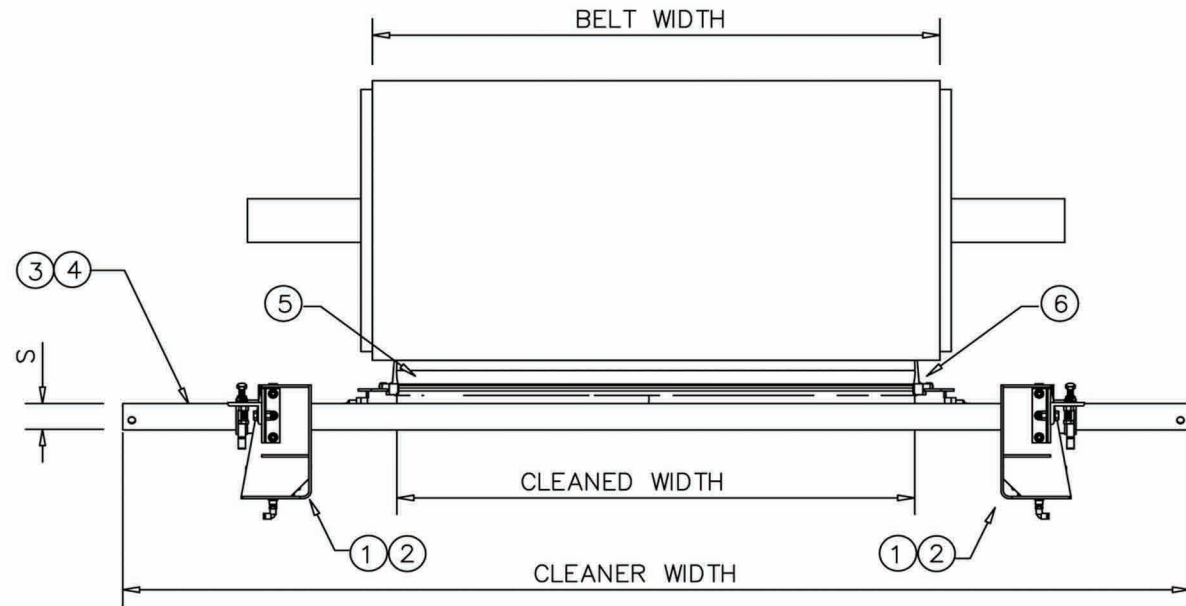
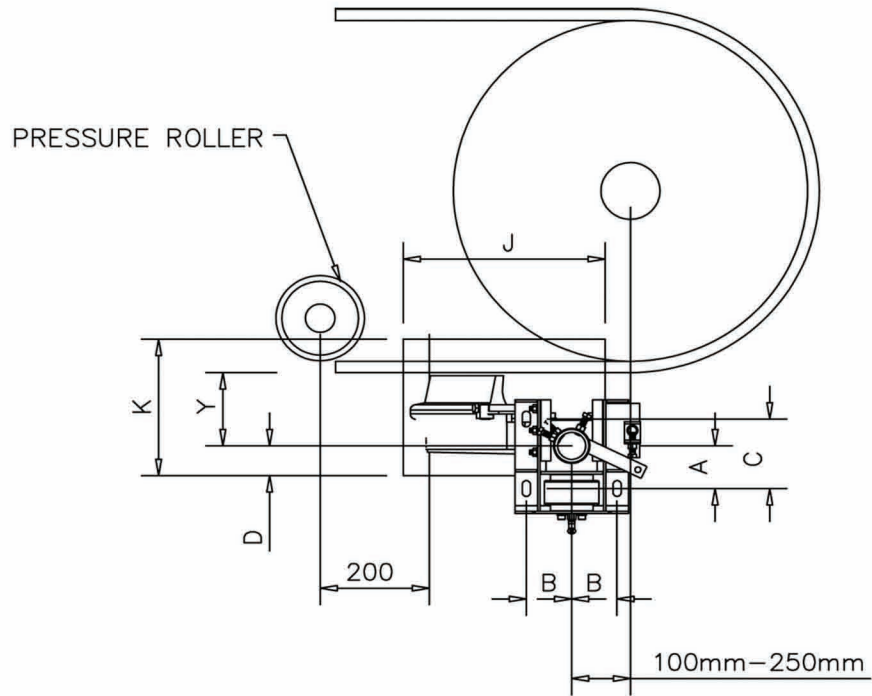


MUP2 AIR BAG TENSION POLYURETHANE PRIMARY BELT CLEANER



CHUTE CUT OUT

BELT WIDTH	Y	A	B	C	D	J	K
800mm-1200mm	135	70	100	160	60	345	240
1400mm-2000mm	145	78	100	160	70	345	240

ITEM	PART No.	DESCRIPTION
1	81 100 00 85-P	AIR BAG PIVOT 800/1200mm belts
2	81 100 00 82-P	AIR BAG PIVOT 1400/2000mm belts
3	MCS1-60mm SHAFT ASSY	BLADE CARRIER ASSEMBLY 800/1200
4	MCS1-76mm SHAFT ASSY	BLADE CARRIER ASSEMBLY 1400/2000
5	MCS1 BLADE	POLYURETHANE BLADE
6	81 200 00 25	BLADE END STOP

BELT WIDTH	CLEANED WIDTH	CLEANER WIDTH	S
800	800	1700	60
900	900	2050	60
1050	1050	2200	60
1200	1200	2350	60
1400	1400	2650	76
1500	1500	2750	76
1600	1500	2850	76
1800	1800	3050	76
2000	2000	3250	76